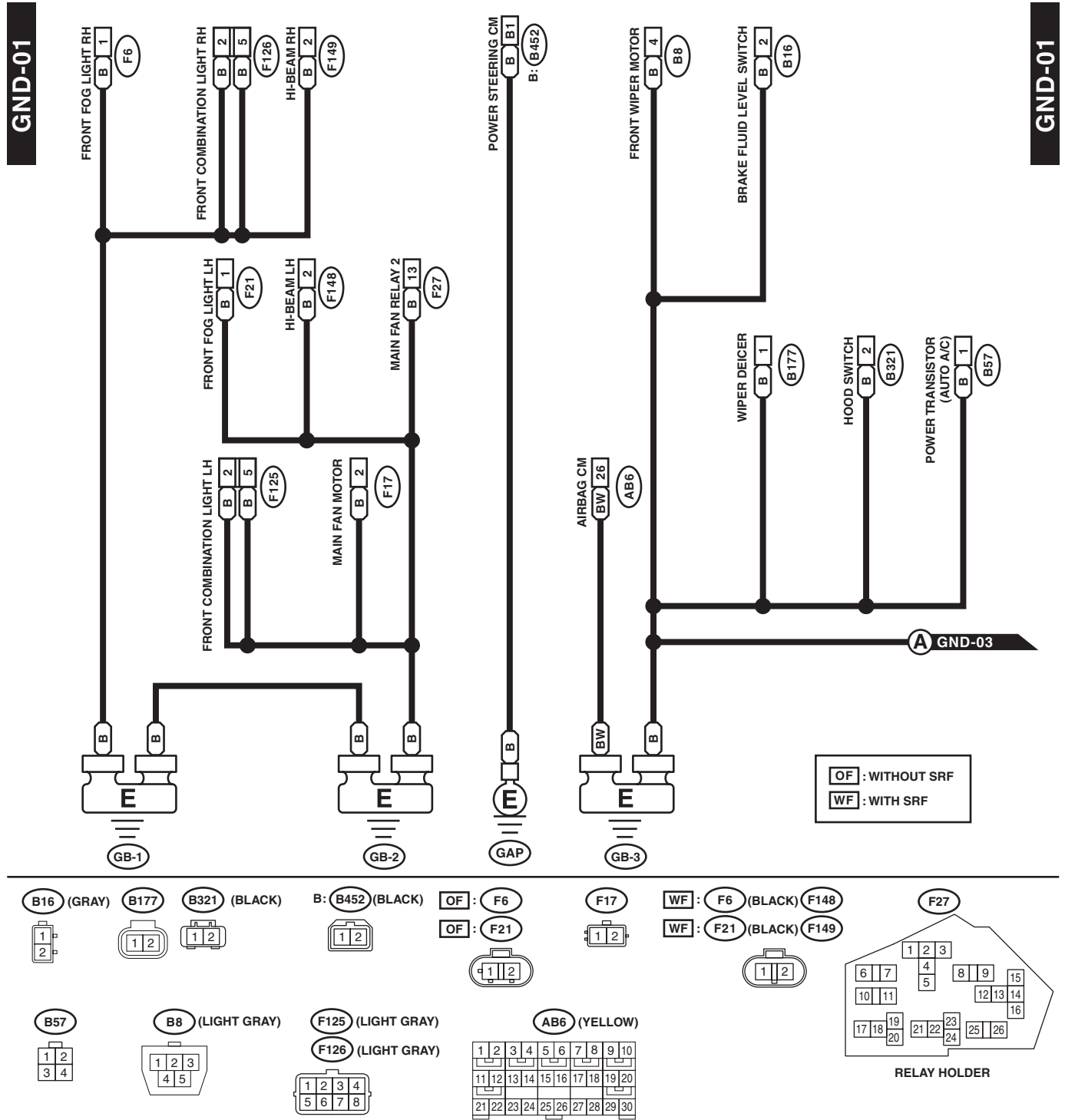


## 4. Ground Circuit

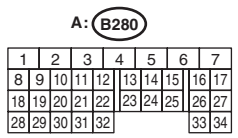
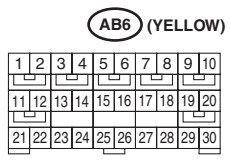
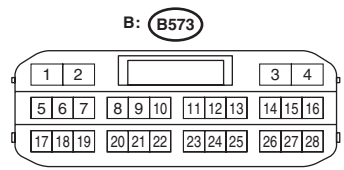
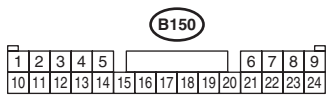
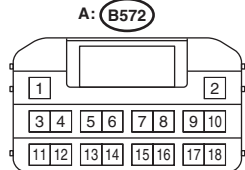
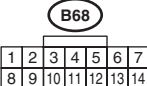
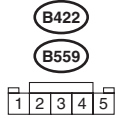
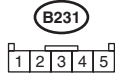
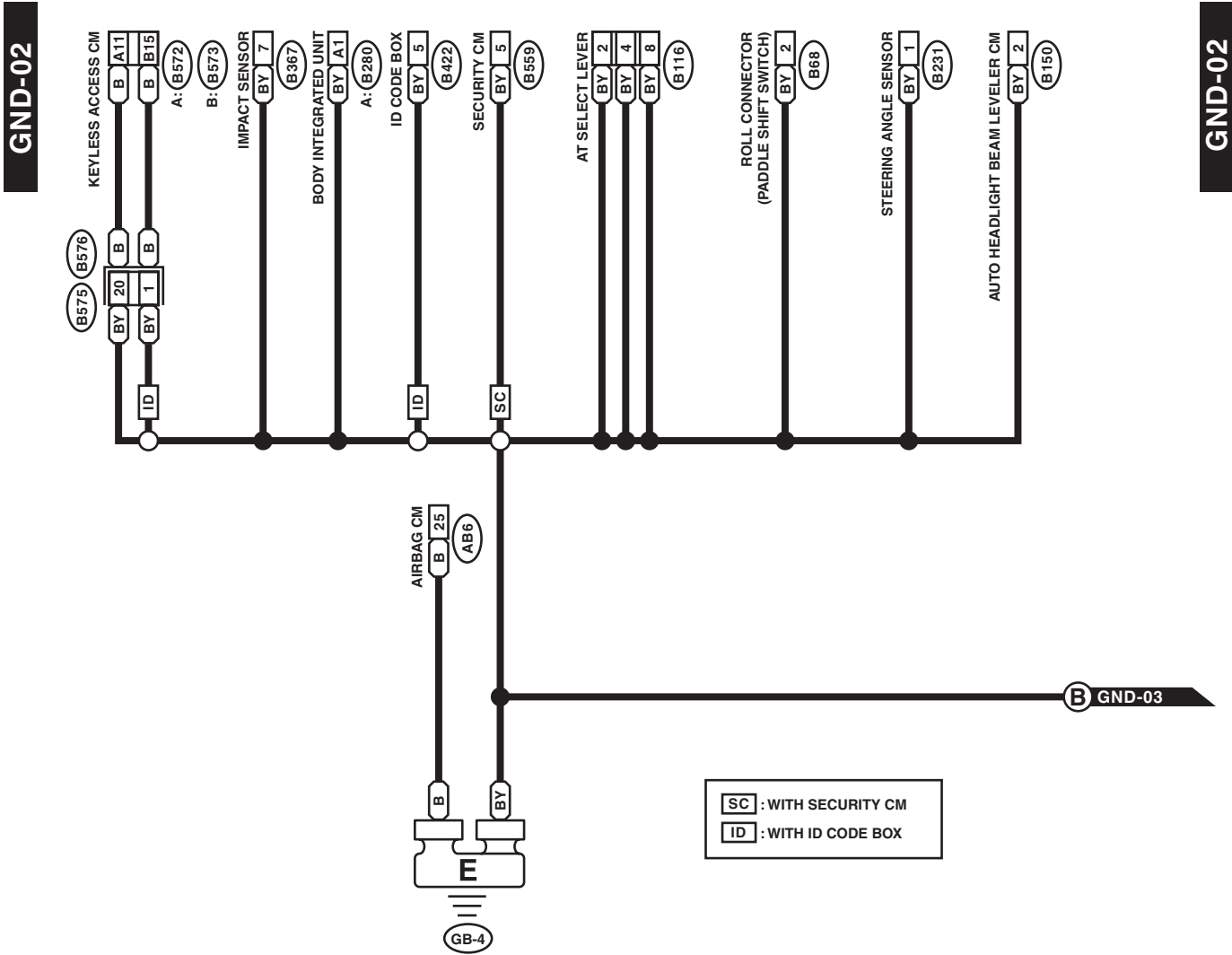
### A: WIRING DIAGRAM



WI-48168

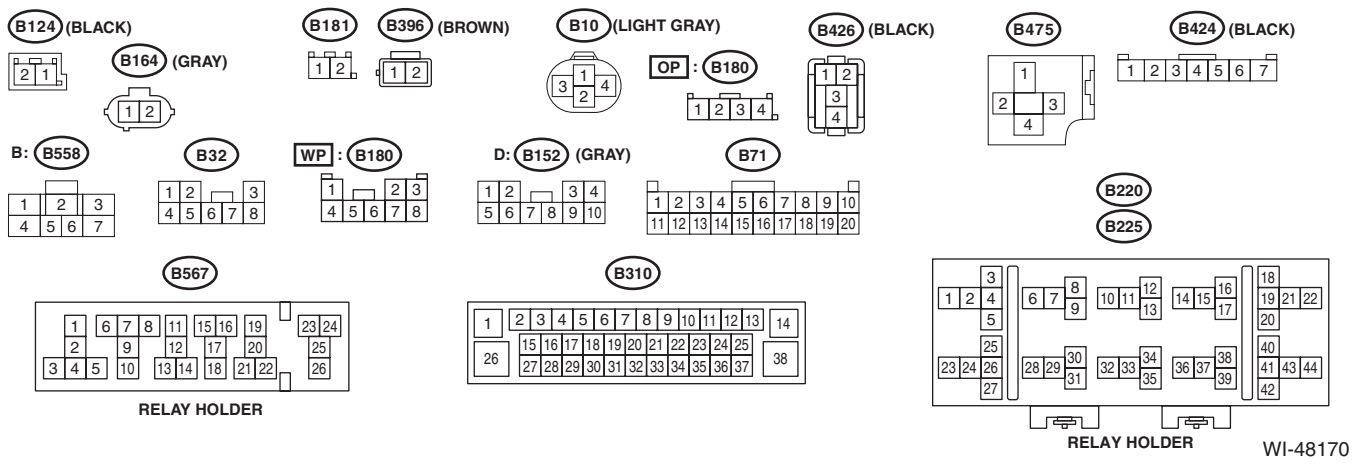
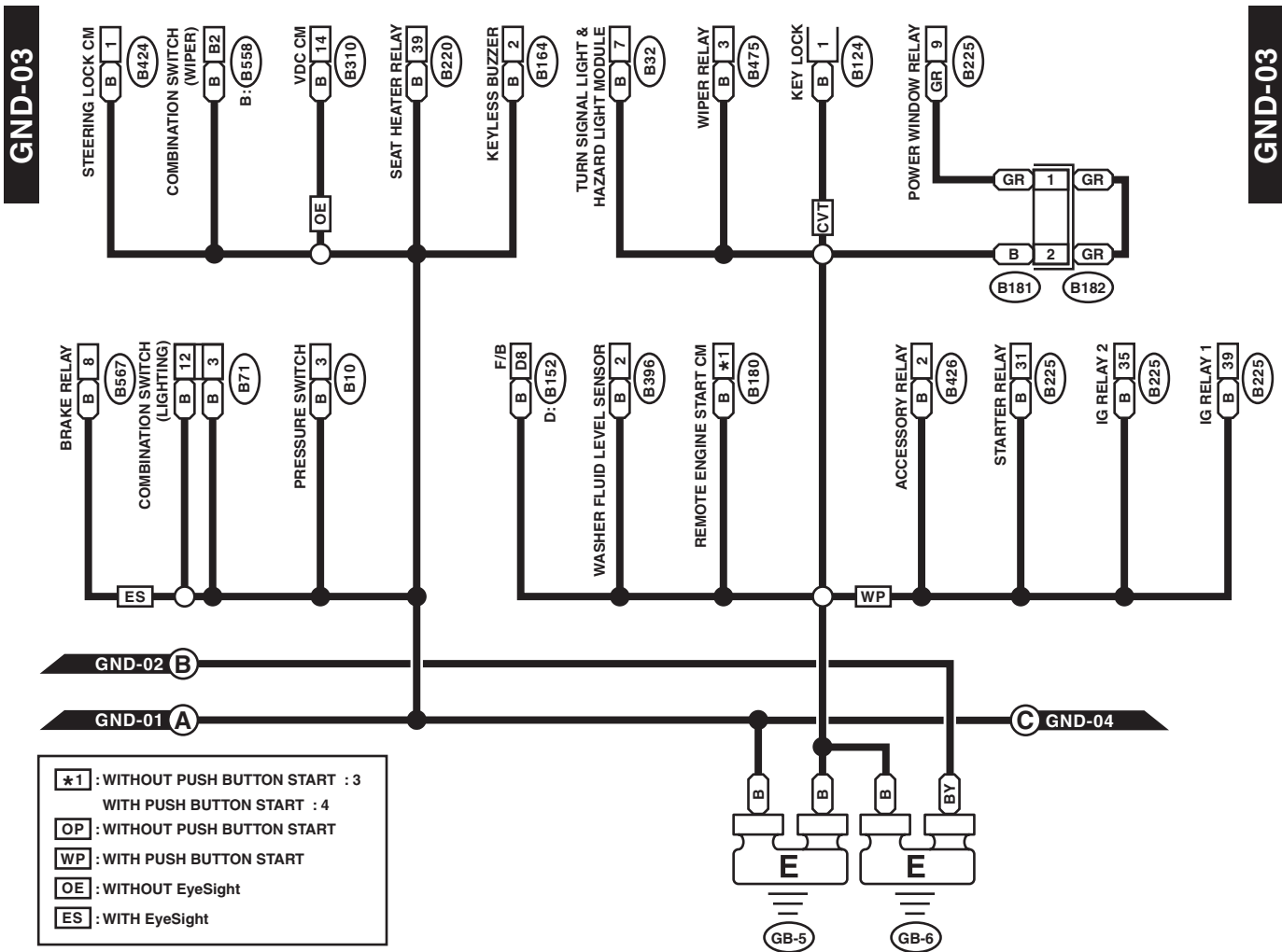
# Ground Circuit

WIRING SYSTEM



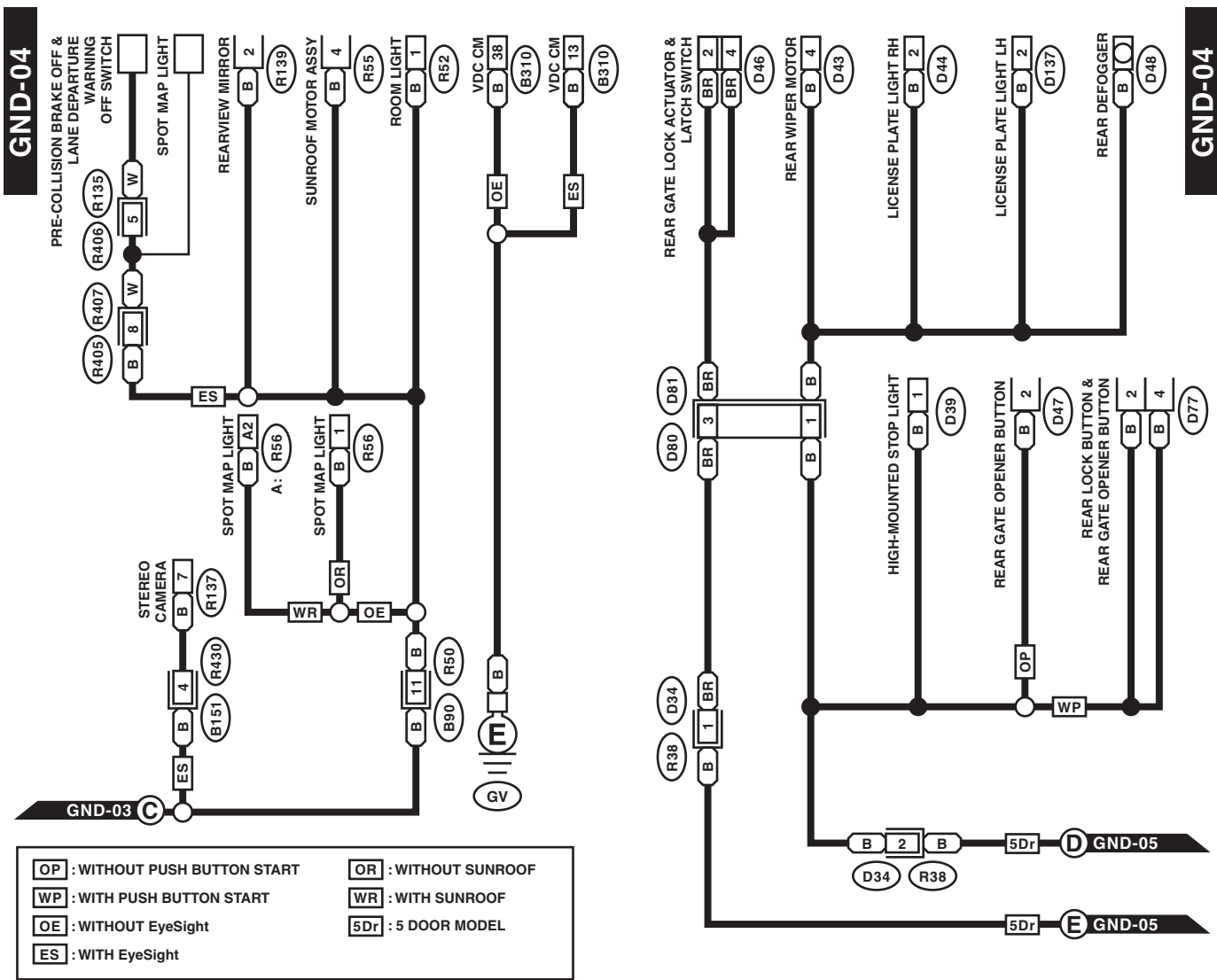
WI-48169

# Ground Circuit

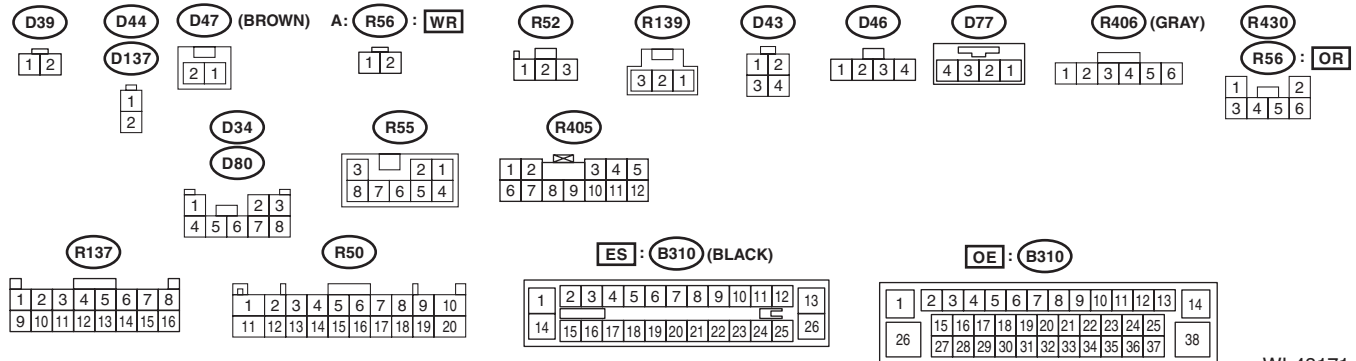


# Ground Circuit

## WIRING SYSTEM

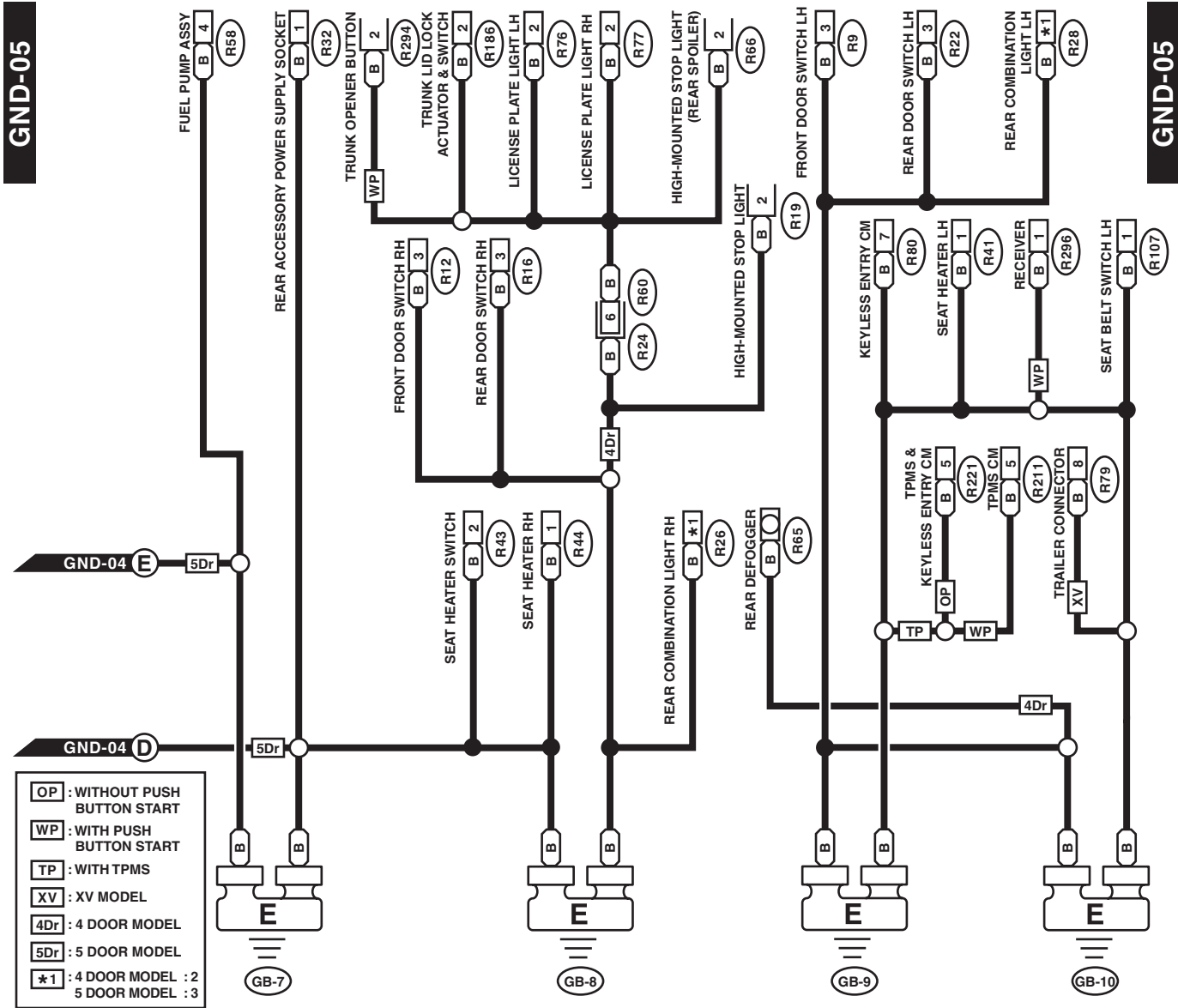


- OP** : WITHOUT PUSH BUTTON START
- WP** : WITH PUSH BUTTON START
- OE** : WITHOUT EyeSight
- ES** : WITH EyeSight
- OR** : WITHOUT SUNROOF
- WR** : WITH SUNROOF
- 5Dr** : 5 DOOR MODEL

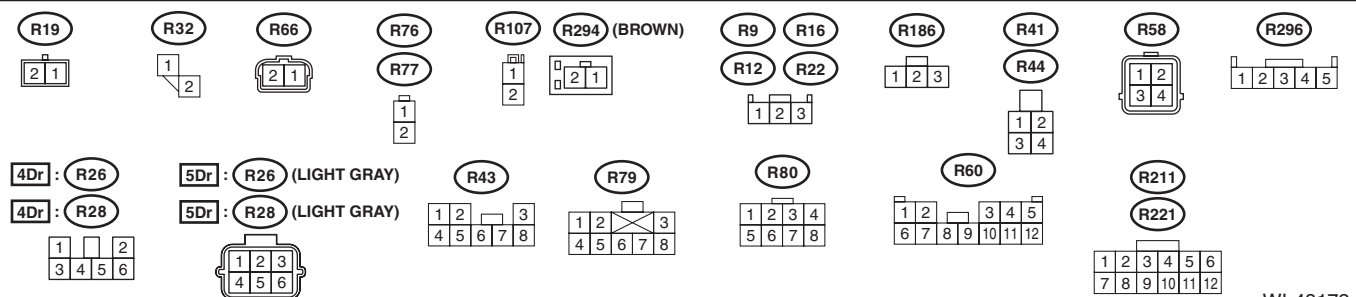


WI-48171

# Ground Circuit



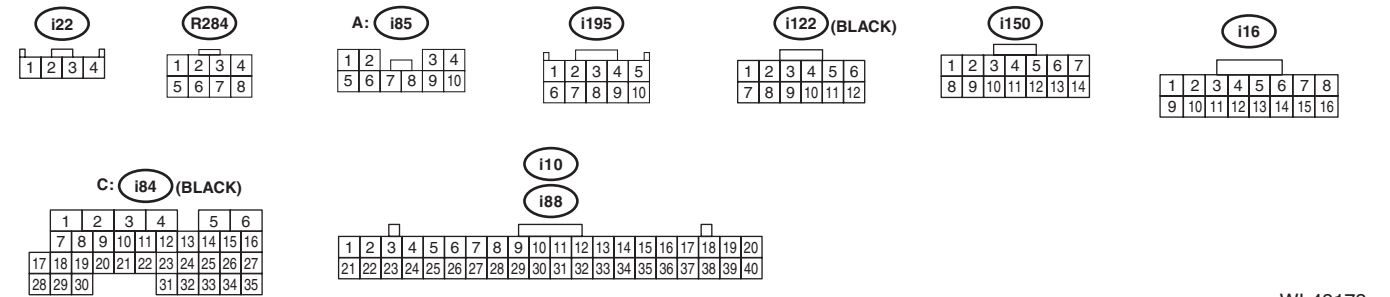
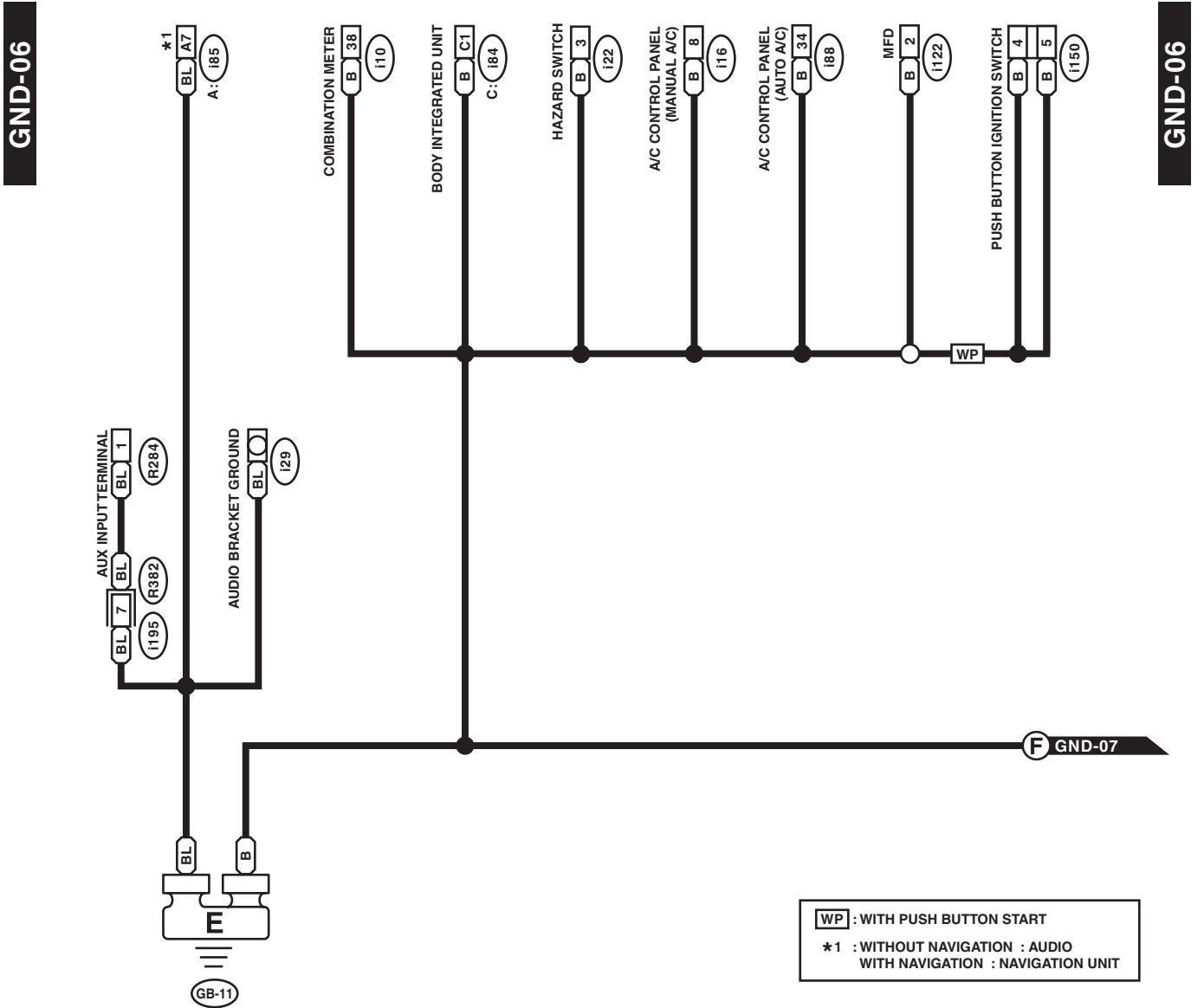
- OP** : WITHOUT PUSH BUTTON START
- WP** : WITH PUSH BUTTON START
- TP** : WITH TPMS
- XV** : XV MODEL
- 4Dr** : 4 DOOR MODEL
- 5Dr** : 5 DOOR MODEL
- \*1** : 4 DOOR MODEL : 2  
5 DOOR MODEL : 3



WI-48172

# Ground Circuit

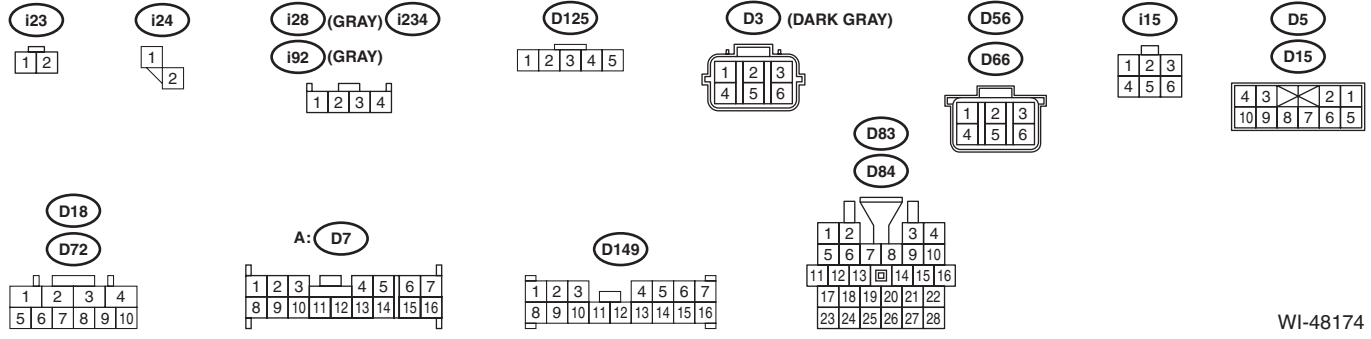
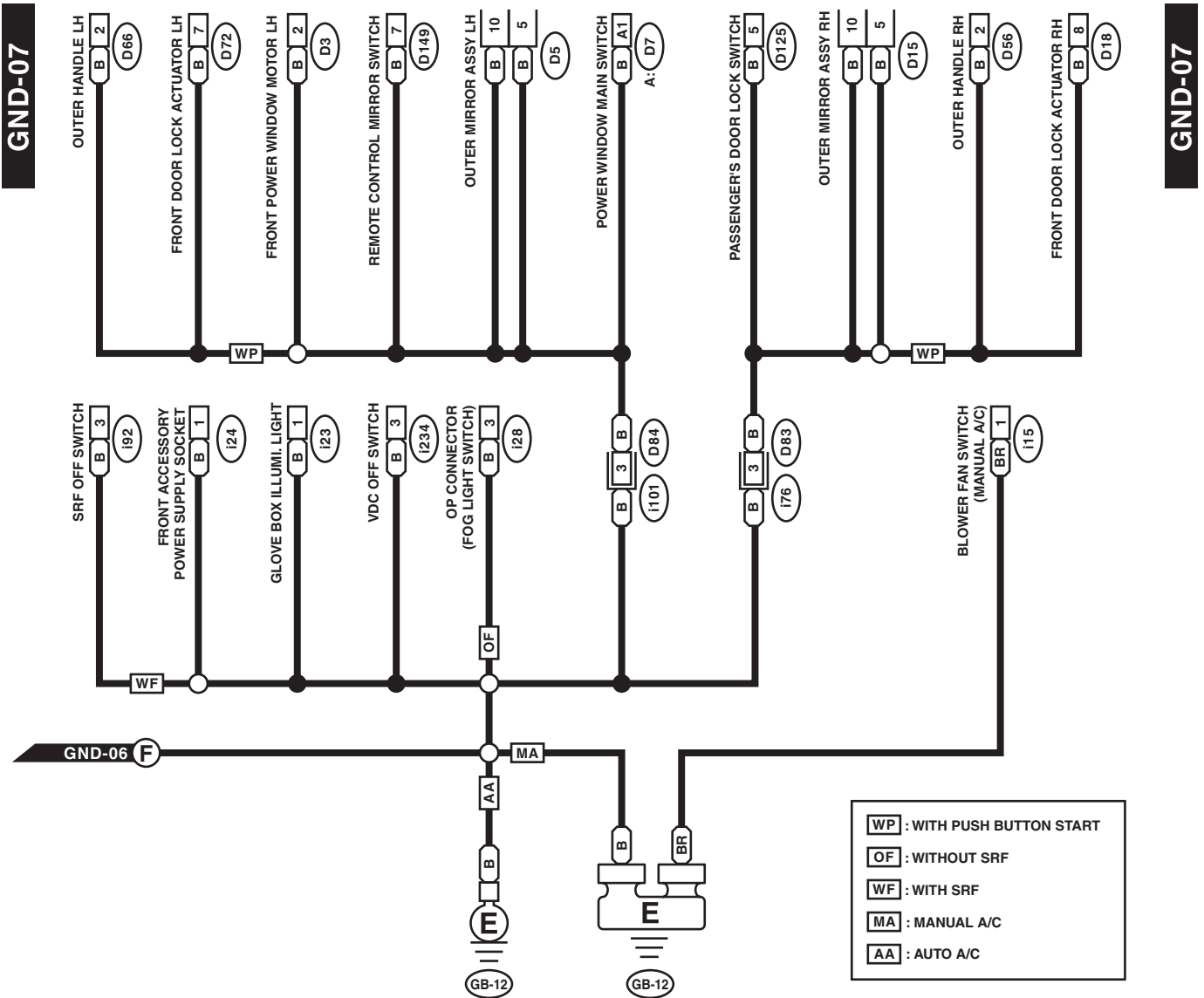
WIRING SYSTEM



WI-48173

# Ground Circuit

WIRING SYSTEM



WI-48174